

DA2



DALI 2 Channel Constant Voltage LED Dimmer

Features

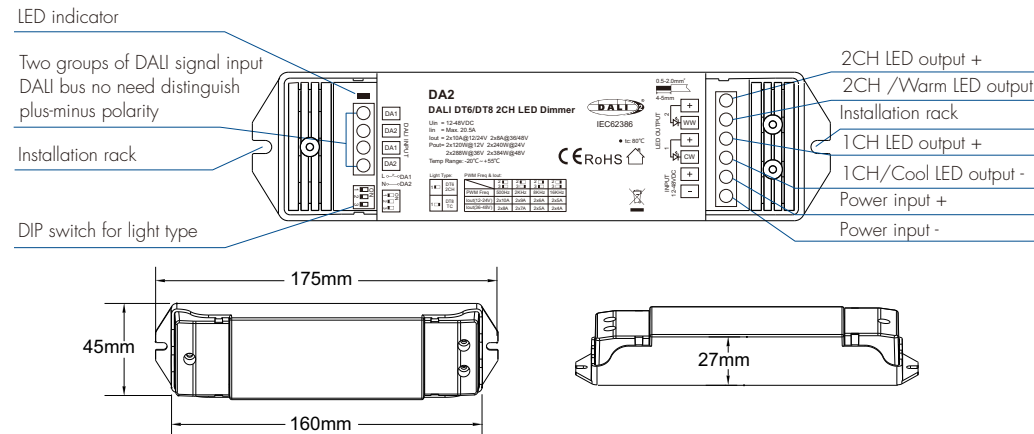
- DALI 2 channel constant voltage LED Dimmer, maximum output current 10A per channel.
- 2/1 DALI address, DIP switch set 2 kinds of light type: DT6 dimming or DT8-TC color temperature.
- DALI-2 certified, in accordance with DALI standard protocol IEC 62386-102, 207,209 and in compliance with DALI products from other international incorporation.
- DALI address will be automatically assigned by DALI master.
- PWM digital dimming, standard DALI logarithmic dimming curve.
- DIP switch set 4 kinds of PWM frequency: 500Hz, 2KHz, 8KHz, 16KHz.
- Connect with external AC push switch to achieve on/off, adjustment of brightness and color temperature function.
- Over-load / Short circuit protection, recover automatically.



Technical Parameters

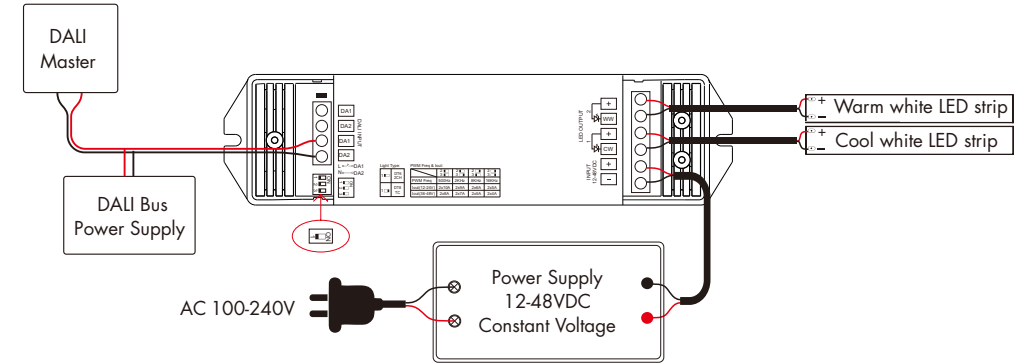
Input and Output		Dimming data		Safety and EMC	
Input voltage	12-48VDC	Input signal	DALI + AC Push Dim	EMC standard	EN IEC 55015 EN IEC 61547
Input current	20.5A	Dimming range	0-100%	Safety standard	EN 61347-1/-2 EN 62493
Output voltage	12-48VDC	Dimming curve	Logarithmic	Certification	DALI-2 CE RoHS
Output current	2x10A@12/24V 2x8A@36/48V	PWM frequency	500Hz/2KHz/8KHz/16KHz	Warranty	5 years
Output power	2x120W@12V 2x240W@24V 2x288W@36V 2x384W@48V	Environment		Protection	Overload Short circuit Reverse polarity
Output type	Constant voltage	Operation temperature	Ta: -20°C ~ +55°C		
		Case temperature (Max.)	Tc: +80°C		
		IP rating	IP20		

Mechanical Structures and Installations

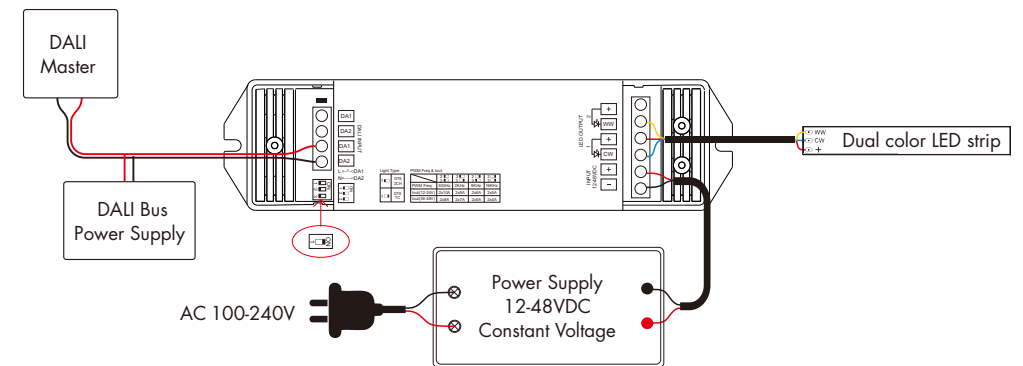


Wiring Diagram

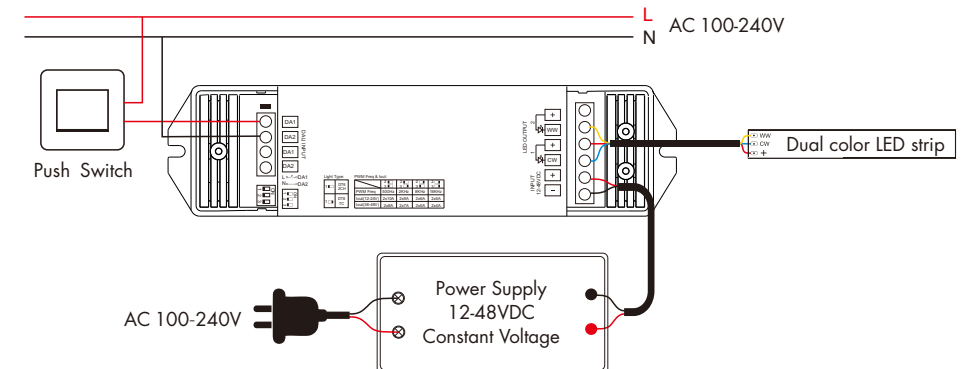
- DA2 for single color(DIP switch 1 set to DT6)



- DA2 for dual color (DIP switch 1 set to DT8)



- DA2 connect with AC push switch



DALI Control

DIP switch 1 set DT6/DT8 mode:

- DT6 2CH mode: 2 DALI address, 2 channel output;
- DT8 TC mode: 1 DALI address, 2 channel output.

DALI address is assigned by DALI Master controller automatically,
please refer to user manuals of compatible DALI Masters for specific operations.





Push DIM

- **Short press:** Turn on/off the light.
- **Long press (1-6s):** Step-less dimming, dimming range 1%-100%.
With every other long press, the light level goes to the opposite direction.
- **Double click:** Switch between three levels color temperature (warm white, neutral white, cool white) in sequence.
At the same time, enter the state of long-press to adjust color temperature.
After 5s of no operation, it will automatically exit color temperature adjustment state.

PWM Frequency Setting

DIP switch 2 and 3 set four output PWM frequencies: 500Hz, 2kHz, 8kHz or 16kHz.

Higher PWM frequency, will cause lower output current, higher power noise, but more suitable for camera
(No flickers for video).

	 2 3	 2 3	 2 3	 2 3
PWM Freq	500Hz	2KHz	8KHz	16KHz
Iout (12-24V)	10A	9A	6A	5A
Iout (36-48V)	8A	7A	5A	4A

Safety & Warnings

- DO NOT install with power applied to device.
- DO NOT expose the device to moisture.