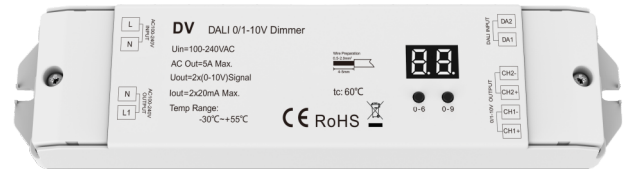


DALI 0/1-10V Dimmer

- 2 DALI address, 2 channel 0/1-10V output.
- High voltage AC input, one high voltage AC relay output.
- 0-10V or 1-10V output selectable.
- In accordance with DALI standard protocol IEC 62386-101, IEC 62386-102, IEC 62386-206 and in compliance with DALI products from other international incorporation.
- DALI address can be manually assigned and shown in digital display or automatically assigned by DALI master.

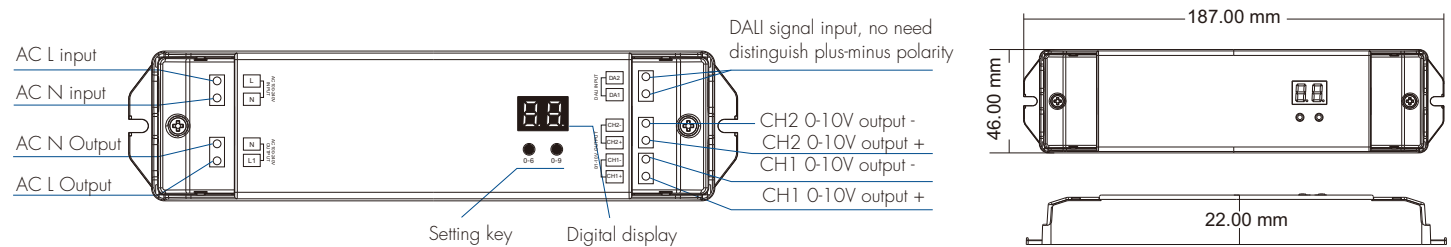


CE RoHS emc LVD

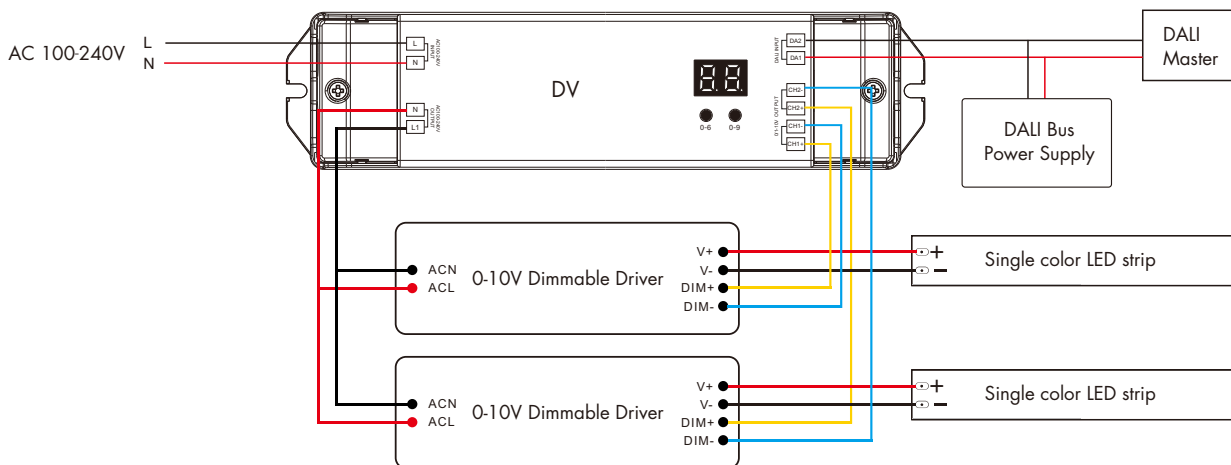
Technical Parameters

Input and Output		Dimming data		Safety and EMC	
Input voltage	100-240VAC	Input signal	DALI	EMC standard (EMC)	ETSI EN 301 489-1 V2.2.3
Output signal	2 x (0/1-10)V, 20mA/CH	Dimming range	0 -100%		ETSI EN 301 489-17 V3.2.4
Output current	Max 5A(AC)	Dimming curve	Linear	Safety standard(LVD)	EN 62368-1:2020+A11:2020
Environment		Package		Certification	CE,EMC,LVD
Operation temperature	Ta: -30°C ~ +55°C	Size	L190x W48 x H25mm	Warranty	
Case temperature (Max.)	Tc: +60 °C	Gross weight	0.140kg	Warranty	5 years
IP rating	IP20				

Mechanical Structures and Installations



Wiring Diagram



Note:

We recommend the number of LED drivers connected to 0/1-10V dimmer (each channel) does not exceed 20 pieces, The maximum length of the wires from dimmer to LED driver should be no more than 30 meters.

Set 0/1-10V output mode

- Long press two buttons at the same time for 2s, switch between 1-10V output or 0-10V output.
- Press the left / right button to change the output mode.
- Long press any of the two buttons for 2s or timeout 10s, quit 0/1-10V output mode setting.



0/1-10V output mode

Mode	Channel Output
00	CH 1:0-10V CH 2:0-10V
01	CH 1:0-10V CH 2:1-10V
10	CH 1:1-10V CH 2:0-10V
11	CH 1:1-10V CH 2:1-10V

Set DALI address via buttons

- Long press any of the two buttons for 2s, prepare for set the start DALI address, digital display start flashes.
- Short press left button to set "tens" position and right button to set "units" position.
- The address can be set from 00~62-FF: no DALI address is assigned for the dimmer, digital display shows "FF".
- Address assignments are sequential. If the set address value is 01, the CH1 address value is 01, and the CH2 address value is 02, The display shows the CH1 address value.
- Long press any of the two buttons for 2s or timeout 10s, quit start DALI address setting, digital display stop flashes.

DALI address assigned by DALI masters

DALI address can also be assigned by DALI Master controller automatically.

Please refer to user manuals of compatible DALI Masters for specific operations.

The digital display will show "AU" When the DALI master is assigning address.

After address is assigned, the digital display will show the start DALI address "xx", xx is from 00 to 63.

Safety & Warnings

- DO NOT install with power applied to device.
- DO NOT expose the device to moisture.